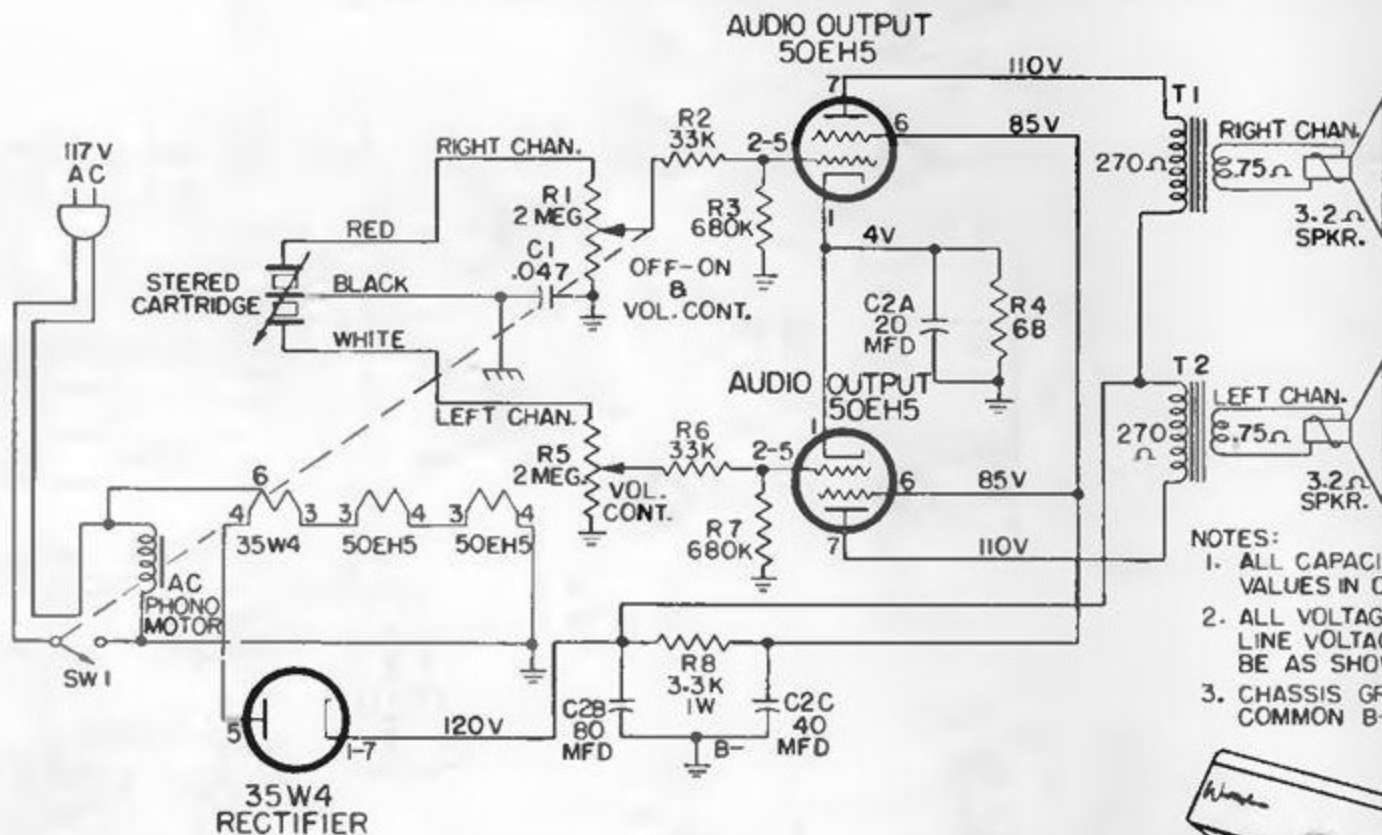


# WESTINGHOUSE Models H-52MPS1, H-52MPS2, H-52MPS3

## CHASSIS

V-2508-02



### NOTES:

1. ALL CAPACITANCE VALUES IN MFD AND ALL RESISTANCE VALUES IN OHMS UNLESS OTHERWISE STATED.
2. ALL VOLTAGES MEASURED FROM B- USING A V.T.V.M. LINE VOLTAGE SET AT 117 V.A.C. READINGS SHOULD BE AS SHOWN  $\pm 20\%$ .
3. CHASSIS GROUND COMMON B-  $\oplus$

### CHASSIS REMOVAL

1. Remove 4 phillips screws holding the motorboard. Lift the motorboard.
2. Disconnect the speaker leads.
3. Remove the chassis cover (2 screws) and unsolder the 2 leads from the pickup cartridge and 2 leads from the phono motor.
4. Remove the 2 speed nuts holding the chassis to the motorboard.

